

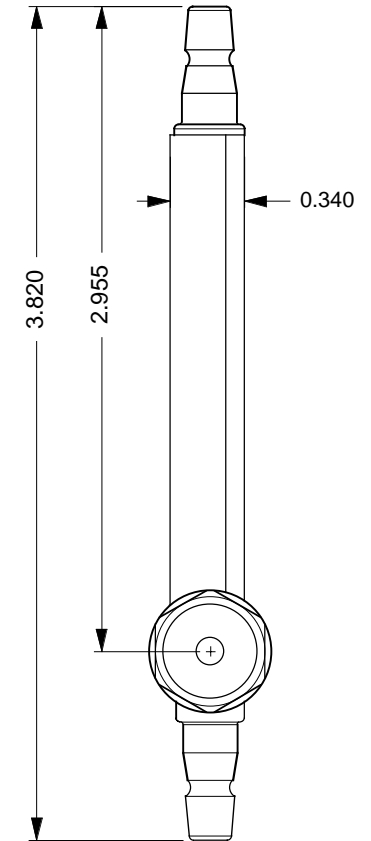
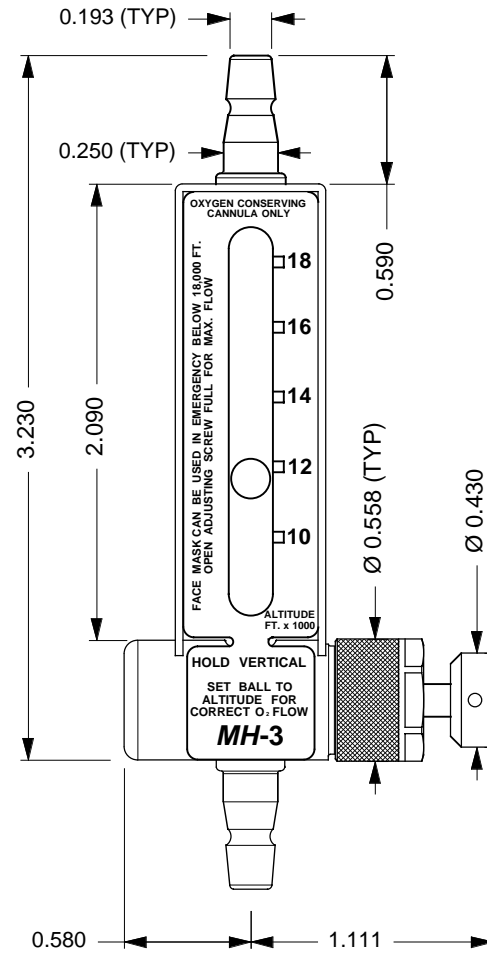
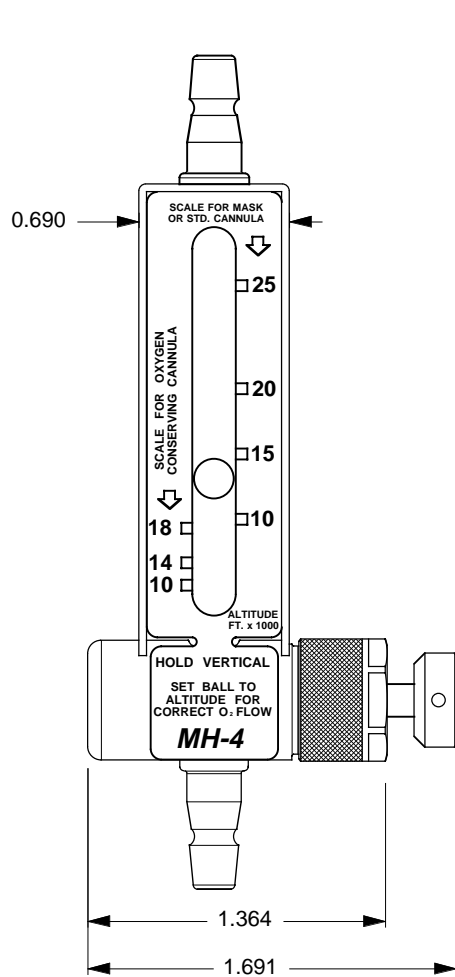
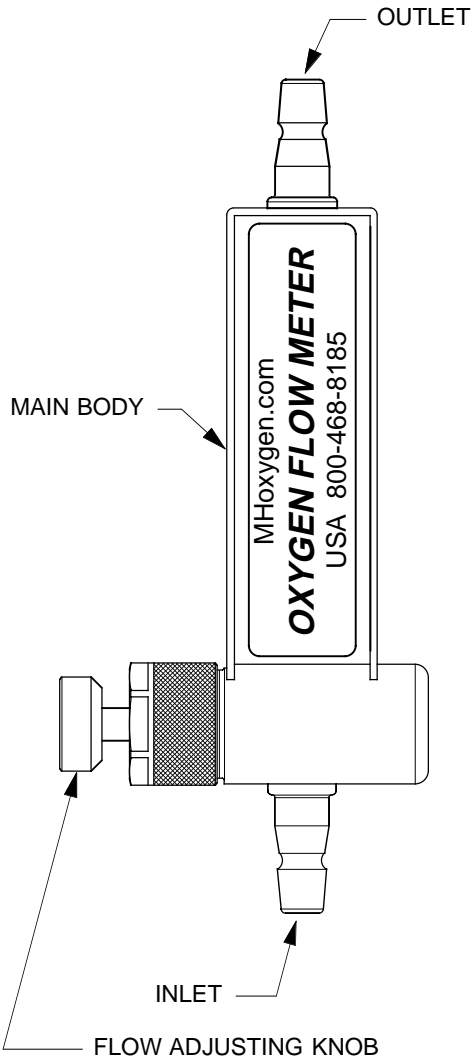
NOTES:

MAIN BODY & BARB MATERIAL: INJECTION MOLD PROCESS: CLEAR LEXAN® (HIGH DENSITY POLY-CARBINATE)
 WETTED PARTS: ACETEL 'DELTRIN®' BLK (INJECTION MOLDED), CDA-360 BRASS
 KNOB & NUT: 6061-T651 ALUM.

WEIGHT: 1.0 OZ. MAX.

REVISION HISTORY

REV	DATE	E. C. O. / APPR.	NOTES
-	10-10-01	PLM.	INITIAL DRAFT



UNLESS OTHERWISE SPECIFIED DIMS ARE IN INCHES. TOLERANCES ARE:				THIRD ANGLE PROJECTION.	<CR> KEY CHARACTERISTICS PER CORP. DOC: ESR-001	NO. 2 EA.
0.X	±0.010	ANGLES	FRACTIONS		MOUNTAIN HIGH E&S CO. REDMOND, OR. USA	FLOWMETER FORM FACTORS DWG. #: MH34-05 REV -
0.XX	±0.005	± 0.5°	± 1/64			
0.XXX	±0.002					
INTERPRET GD&T DIMS AND TOLS PER ASME 14.5						
ISSUED:	DATE	MATERIAL:	NOTE 1	FLOWMETER FORM FACTORS		
DRAWN:	PLM	10-10-01	FINISH:	NOTE -	DWG. #: MH34-05	
ENGINEER:	PLM	10-10-01	CLEAN:	NOTE -	REV -	
APPR:	DATE	MARKING:	NOTE -	SIZE A	SHEET 1 OF 1	DO NOT SCALE DRAWING