

# 2ip & 4ip control head DB-25 Electrical Connection Legend FOR USE WITH IPR

REVISION HISTORY			
REV	DA-MO-YR	E. C. O. / APPR.	NOTES
A	06-05-05	PLM	REVISED NOMENCLATURE
B	05-03-06	PLM	CORRECTED NAMES
C	14-11-08	PLM	CORRECTED AUDIO OUTPUT SPECS

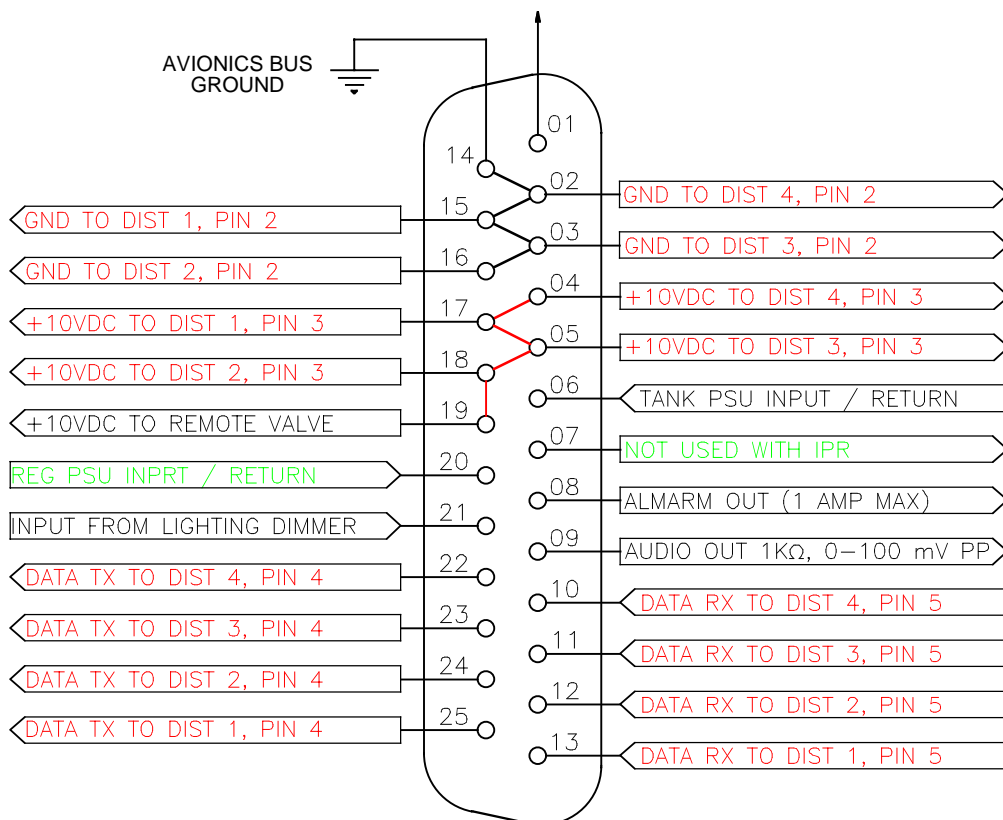
CONTROL-HEAD DB-25  
GND CONNECTOR PINS  
2, 3, 14, 15 & 16  
FOR SYSTEM GROUND  
ARE TIED TOGETHER IN  
THE CONTROL HEAD AND  
ARE INTERCHANGABLE

**NOTICE !**

CONTROL-HEAD DB-25  
+10V CONNECTOR PINS  
4, 5, 17, 18 & 19  
ARE TIED TOGETHER IN  
THE CONTROL HEAD AND  
ARE INTERCHANGABLE

AVIONICS BUS  
+14 to +28 VDC

AVIONICS BUS  
GROUND



PIN	PIN FUNCTION
01	AVIONICS BUS +12 TO +28 VDC
02	GROUND TO DISTRIBUTOR 4, PIN 2 (4ip ONLY)
03	GROUND TO DISTRIBUTOR 3, PIN 2 (4ip ONLY)
04	+10 VDC TO DISTRIBUTOR 4, PIN 3 (4ip ONLY)
05	+10 VDC TO DISTRIBUTOR 3, PIN 3 (4ip ONLY)
06	INPUT / RETURN FROM TANK PRESSURE SENDING UNIT (PSU), PIN 5
07	NOT USED IF USING THE IPR REGULATOR
08	GROUND SUPPLY FOR ALARM (1 AMP MAX.)
09	AUDIO OUTPUT (1 KW @ 0 - 100 mv PP)
10	DATA RX TO DISTRIBUTOR 4, PIN 5 (4ip ONLY)
11	DATA RX TO DISTRIBUTOR 3, PIN 5 (4ip ONLY)
12	DATA RX TO DISTRIBUTOR 2, PIN 5
13	DATA RX TO DISTRIBUTOR 1, PIN 5
14	AVIONICS BUS GROUND
15	GROUND TO DISTRIBUTOR 1, PIN 2
16	GROUND TO DISTRIBUTOR 2, PIN 2
17	+10 VDC TO DISTRIBUTOR 2, PIN 3
18	+10 VDC TO DISTRIBUTOR 1, PIN 3
19	+10 VDC SUPPLY TO REMOTE VALVE SOLINOID COIL / VALVE, PINS 2 & 9
20	INPUT FROM REGULATOR PRESSURE GAUGE (OPTIONAL ITEM)
21	INPUT FROM PANEL LIGHTING DIMMER
22	DATA TX TO DISTRIBUTOR 4, PIN 4 (4ip ONLY)
23	DATA TX TO DISTRIBUTOR 3, PIN 4 (4ip ONLY)
24	DATA TX TO DISTRIBUTOR 2, PIN 4
25	DATA TX TO DISTRIBUTOR 1, PIN 4

Audio output is microphone compatible

THIRD ANGLE PROJECTION		[ KC ] 00	NUMBER OF KEY CHARACTERISTICS IN THIS DRAWING / DOCUMENT PER MH DOC: ESR-001
ISSUED:		DA-MO-YR	EDS-IP CONNECTOR ASSIGNMENT
DRAWN:	PLM	04-07-03	DWG. #: EDSIP-051-003
ENGINEER:	PLM	DATE	REV C
APPR:	DATE	SIZE A	SHEET 1 OF 1
DO NOT SCALE DRAWING			

MOUNTAIN HIGH  
E&S CO.  
REDMOND, OR. USA