

# IPR

REVISION HISTORY			
REV	DA-MO-YR	E. C. O. / APPR.	NOTES
R	25-09-07	PLM	ADDED DETAIL FOR TANK PRESSEURE SENDING UNIT
L	03-06-08	PLM	RESTORED ORIGINAL DWG. NUMBER SYSTEM FOR THESE SHEETS
M	17-12-08	PLM	CORRECTED AUDIO OUTPUT SPECIFICATIONS

Audio output is microphone compatible  
ALL WIRES 22 - 24 AWG.

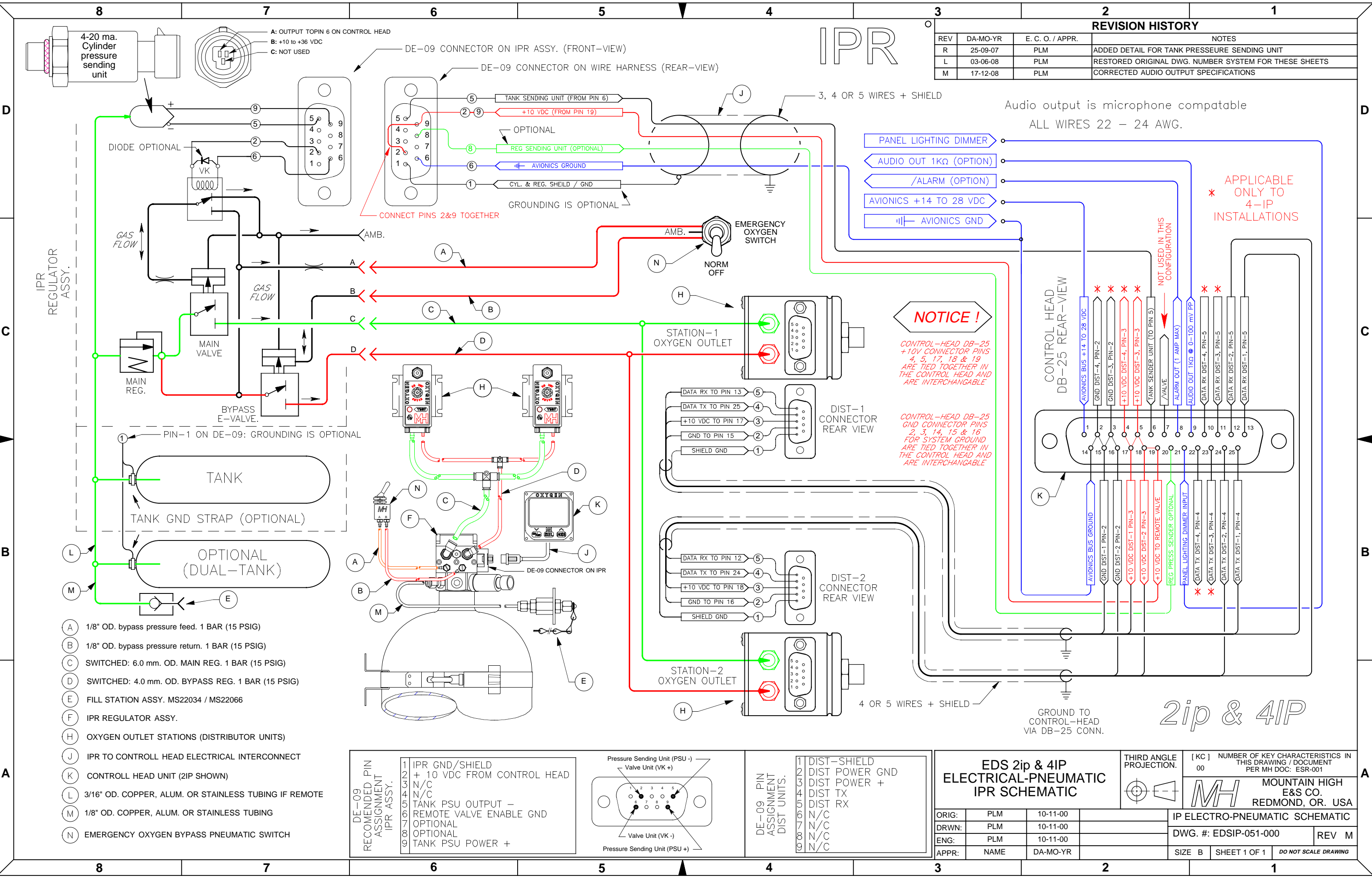
APPLICABLE  
\* ONLY TO  
4-IP  
INSTALLATIONS

**NOTICE!**

CONTROL-HEAD DB-25  
+10V CONNECTOR PINS  
4, 5, 17, 18 & 19  
ARE TIED TOGETHER IN  
THE CONTROL HEAD AND  
ARE INTERCHANGABLE

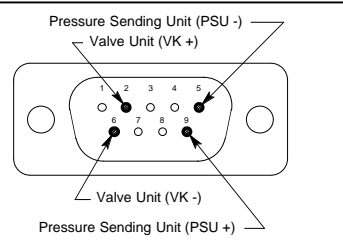
CONTROL-HEAD DB-25  
GND CONNECTOR PINS  
2, 3, 14, 15 & 16  
FOR SYSTEM GROUND  
ARE TIED TOGETHER IN  
THE CONTROL HEAD AND  
ARE INTERCHANGABLE

2ip & 4IP



- (A) 1/8" OD. bypass pressure feed. 1 BAR (15 PSIG)
- (B) 1/8" OD. bypass pressure return. 1 BAR (15 PSIG)
- (C) SWITCHED: 6.0 mm. OD. MAIN REG. 1 BAR (15 PSIG)
- (D) SWITCHED: 4.0 mm. OD. BYPASS REG. 1 BAR (15 PSIG)
- (E) FILL STATION ASSY. MS22034 / MS22066
- (F) IPR REGULATOR ASSY.
- (H) OXYGEN OUTLET STATIONS (DISTRIBUTOR UNITS)
- (J) IPR TO CONTROL HEAD ELECTRICAL INTERCONNECT
- (K) CONTROL HEAD UNIT (2IP SHOWN)
- (L) 3/16" OD. COPPER, ALUM. OR STAINLESS TUBING IF REMOTE
- (M) 1/8" OD. COPPER, ALUM. OR STAINLESS TUBING
- (N) EMERGENCY OXYGEN BYPASS PNEUMATIC SWITCH

DE-09 RECOMMENDED PIN ASSIGNMENT IPR ASSY.	Pressure Sending Unit (PSU -) Valve Unit (VK +)
1	IPR GND/SHIELD
2	+ 10 VDC FROM CONTROL HEAD
3	N/C
4	N/C
5	TANK PSU OUTPUT -
6	REMOTE VALVE ENABLE GND
7	OPTIONAL
8	OPTIONAL
9	TANK PSU POWER +



DE-09 PIN ASSIGNMENT DIST UNITS.	
1	DIST-SHIELD
2	DIST POWER GND
3	DIST POWER +
4	DIST TX
5	DIST RX
6	N/C
7	N/C
8	N/C
9	N/C

<b>EDS 2ip &amp; 4IP ELECTRICAL-PNEUMATIC IPR SCHEMATIC</b>		
ORIG:	PLM	10-11-00
DRWN:	PLM	10-11-00
ENG:	PLM	10-11-00
APPR:	NAME	DA-MO-YR

THIRD ANGLE PROJECTION.	[KC] NUMBER OF KEY CHARACTERISTICS IN THIS DRAWING / DOCUMENT 00	MOUNTAIN HIGH E&S CO. REDMOND, OR. USA
IP ELECTRO-PNEUMATIC SCHEMATIC		
DWG. #:	EDSIP-051-000	REV M
SIZE	B	SHEET 1 OF 1
DO NOT SCALE DRAWING		